

Home > baggage-policy > baggage-allowance

Baggage Allowance



Book and fly with Oman Air and enjoy our generous baggage allowances

Hand Luggage:

First Class	Business Class	Economy Class
7 kg	7 kg	7 kg
2 Pieces	2 Pieces	1 Piece

Check-in Baggage:

First Class	Business Class	Economy Class**
Total Weight: 50 kg	Total Weight: 50 kg	Total Weight: 30 kg
Up to 2 Pieces	Up to 2 Pieces	Up to 2 Pieces

** Effective 3 March, 2020, Super Saver Economy Class tickets do not include a checked baggage allowance. We offer this fare as a low-cost option for guests who do not need to fly with checked baggage.

Economy Class fares provide the following allowances:

Brand Fares	Free Baggage Allowance
Super Saver	0 Weight
Economy Lite	30 kg
Economy	30 kg
Economy Prime	30 kg

Baggage allowances for guests holding valid Sindbad Cards

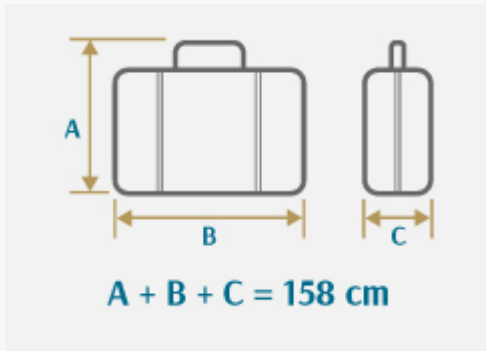
Sindbad Update

New Excess Baggage Allowance Update

Effective 3rd March 2020, our valued Sindbad members will be entitled to the following baggage allowance.

Cabin Class (Fare)	Gold	Silver	Others
Business & First (All Fares)	70kg (3 bags)	60kg (2 bags)	50kg (2 bags)
Economy (Except SuperSaver)	50kg (2 bags)	40kg (2bags)	30kg (2 bags)
Economy (SuperSaver) Prepaid bag discount	Nil (50% discount)	Nil (25% discount)	Nil

Standard size and weight of each bag



Weight: No single bag should weigh more than 32kg. In case there is a bag weighing more than 32kg, it will not be accepted under any circumstances.

Dimensions: Total Dimensions shall not exceed 158 cm

Baggage that exceeds the standard sizes and weight restrictions are subject to applicable fees. Check Excess Baggage Rates.

Handbag per guest of 7 kg and a maximum dimension of linear 115 cm (45 in)

Source URL: <https://www.omanair.com/baggage-policy/baggage-allowance>